

HBL2720 -- Twist-Lock Receptacle



3P4W, 30A 3PH 250V, L15-30R, Black Nylon Face

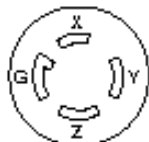
Product Specifications

Product Type



Product Item	Single Receptacle
Wiring Scheme	3 Pole, 4 Wire Grounding
Amperage	30A
Voltage	3 Phase 250V AC
NEMA Configuration	L15-30R
Item Style	Standard
Device Color	Black
Horsepower	3
Terminal Retainer Material	Clear polycarbonate
Terminal Clamp Material	.040" (1.0) Brass
Terminal Screw Material	#10-32 Bronze (White finish on neutral screw when used)

Ground Screw Material	#10-32 Bronze (Green)
Contact Spring Material	.040" Brass
Mounting Screw Material	Nickel-plated Brass Round head screws
Cover (Top) Material	Black Nylon
Base Material	Nylon Polyester
Ground Contact Material	.040" Brass
Bridge (Mounting Strap) Material	.050" Brass
Back Plate Material	.040" Brass
Rivet Material	Brass
Auto Ground Clip Material	Stainless Steel
Ratings	Molded into face.
Catalog No.	Marked onto body
Dielectric Voltage Withstand	2,000V minimum
Current Interrupting	Certified for current interrupting at full rated current
Temperature Rise	Max 30 C temperature rise at full rated current after 50 cycles of overload at 150% of rated current at a power factor of .75.
Terminal Accommodation	30A-#10AWG
Terminal Identification	Terminals identified in accordance with UL 498 (X, Y, Z, White, Green)
Flammability	HB or better per UL 94 or CSA 22.2 No. 0.6
Operating Temperatures	Maximum Continuous 75 C Minimum -40 C (w/o impact)
Listings	FED SPEC UL/CSA
Catalog Page	Click here for catalog page B40
Brochures	Click here for product brochure
Hubbellnet	Click here for Hubbellnet
Catalog Section	Click here for Section-B
UPC Number	78358523613
Weight in LBs	0.3



NEMA L15-30R
30A 3Ø 250V AC
LL/CSA
3 HP

NEMA
Configuration

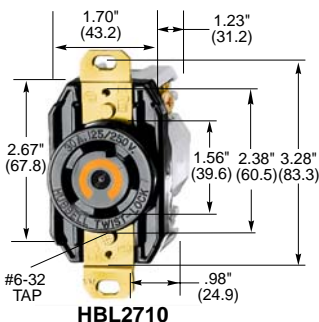


TWIST-LOCK® Devices

3 Pole, 4 Wire Grounding

30 Ampere, 125/250 Volts and 3Ø 250 Volts

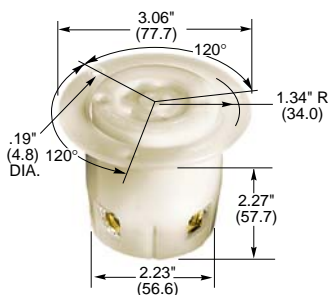
Receptacles, INSULGRIP® Connector Bodies, Flanged Devices and Plugs



HBL2710



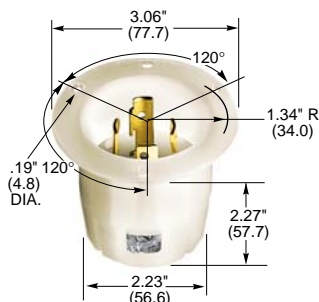
HBL2713



HBL2716



HBL2711



HBL2715



NEMA L14-30R
30A 125/250V
UL/CSA
2 (2) HP



NEMA L15-30R
30A 3Ø 250V AC
UL/CSA
3 HP

Single Flush Receptacles, Back and Side Wired

Description	Catalog Numbers	
Black nylon face.	HBL2710	HBL2720
Isolated ground, orange nylon face.	IG2710	IG2720

Insulgrip Connector Bodies IP20 SUITABILITY

Description	Catalog Numbers	
Black and white nylon.	HBL2713	HBL2723
Corrosion resistant, yellow nylon.	HBL27CM13	HBL27CM23

Note: Cord clamp range .35"-1.15" (9-29).

Insulgrip Flanged Receptacles

Description	Catalog Numbers	
Nylon casing, back wired.	HBL2716	HBL2726



NEMA L14-30P
30A 125/250V
UL/CSA
2 (2) HP



NEMA L15-30P
30A 3Ø 250V AC
UL/CSA
3 HP

Insulgrip Plugs IP20 SUITABILITY

Description	Catalog Numbers	
Black and white nylon.	HBL2711	HBL2721
Corrosion resistant, yellow nylon.	HBL27CM11	HBL27CM21

Notes: Cord clamp range .35"-1.15" (9-29).
See page B-73 for Add-A-Shroud™ kit.

Insulgrip Flanged Inlets

Description	Catalog Numbers	
Nylon casing, back wired.	HBL2715	HBL2725

Notes: HP ratings not in parentheses are phase to phase.
HP rating in parentheses is phase to neutral.
Only receptacles and plugs are HP rated.
See pages B-70 and B-71 for accessories.
For technical information see page B-83.
See page B-63 for switched enclosure.